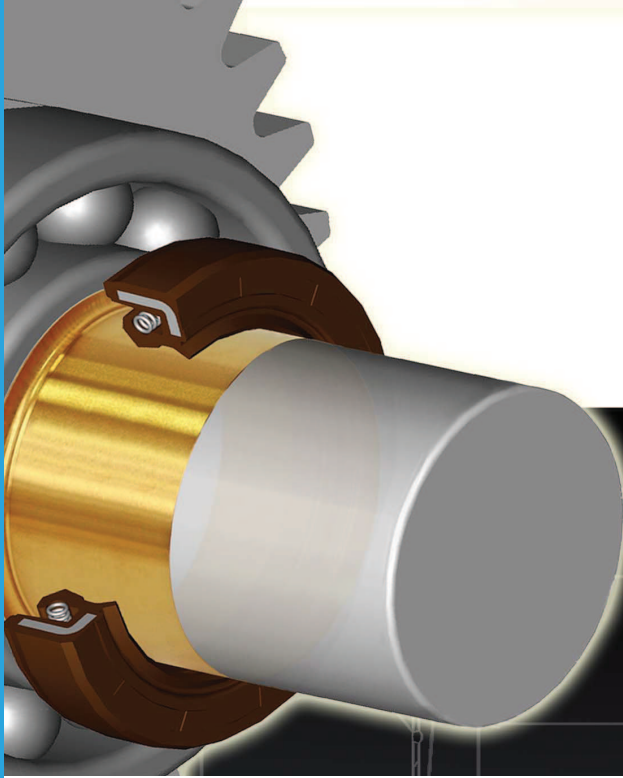


# PROSEAL



ISO - 9001/14001  
ISO\TS - 16949  
OHSAS - 18001

1.000  
(25.40)  
0.890 +/-0.031  
(22.60 +/-0.80)

## Application

WEAR-PRO Sleeves can be used anywhere there is a radial shaft seal such as in industrial gearboxes, motors, pumps, reducers, construction and agriculture equipment, and automotive parts. The WEAR-PRO Sleeves provide significant advantages for both OEM and aftermarket customers in quick, easy maintenance and cost-effective equipment life cycle.



## Cost-effective, quick and easy

WEAR-PRO Sleeve offers excellent sealing surface for radial shaft seals while reducing costly shaft machining or maintenance. The features are:

- Simple and quick installation
- Cost-effective; no need to re-machine the worn shaft, or replace with a new shaft
- Very thin-walled design allows the same size of seal to be used; no need to change seal size
- Precise surface finish achieved by advanced plunge grinding technology
- High-grade surface hardness to ensure abrasion resistance
- A wide range of sizes

